

# The POS<sup>T</sup> - Shelf Management System

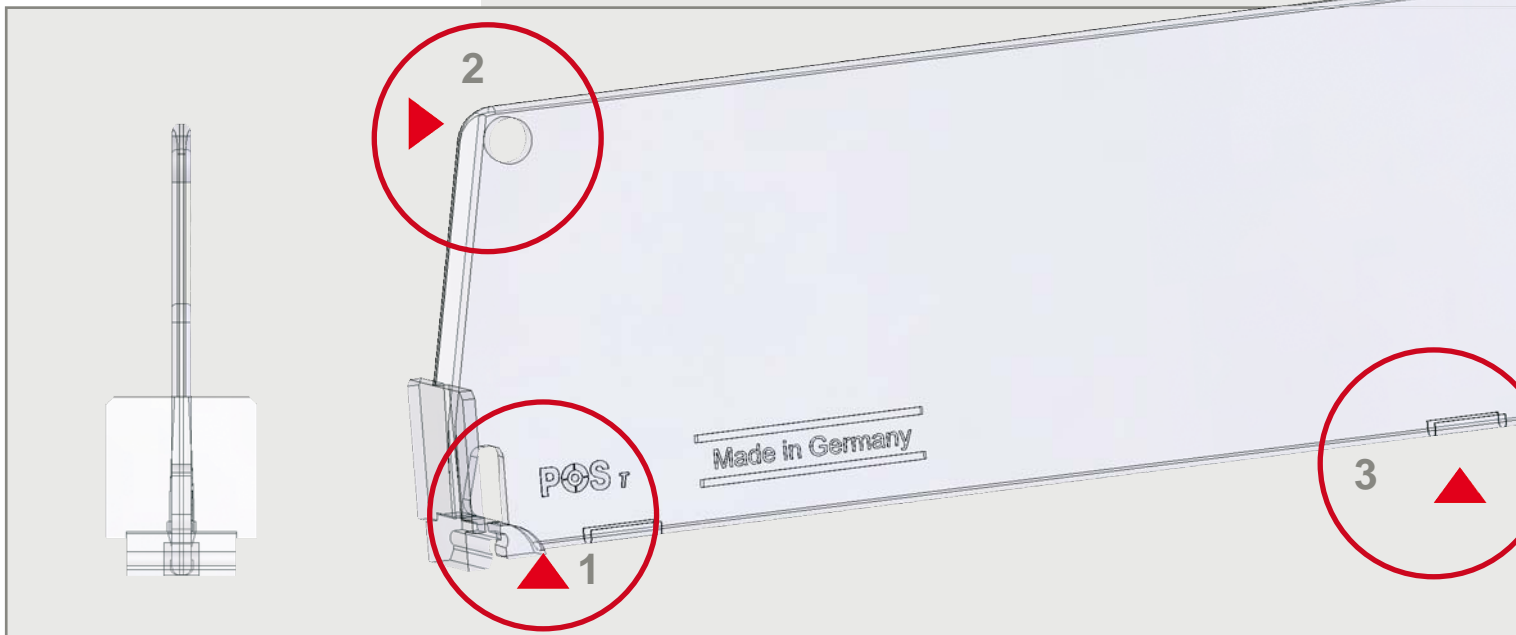


The POS-7 Shelf Management System with Product Pusher ...

Ingeniously easy to implement and achieve total optimization of product presentation, simultaneously reducing the need for shelf maintenance.

Not just ,only‘ a plastic divider but a system completely versatile, offering intelligent and sophisticated solutions.

Available in heights of 35, 60 mm and 120 mm - lengths of 180mm to 580 mm. Bespoke versions also available. System “F” dividers enable the product to be placed at the very front edge of the shelf, without the loss of space.



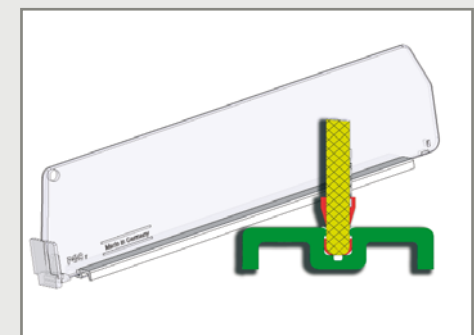
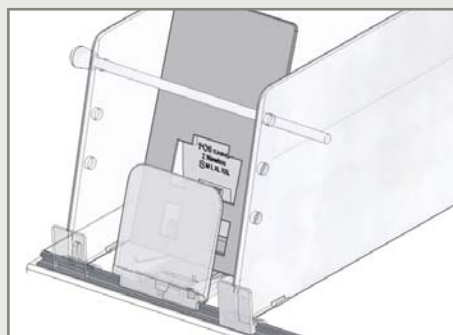
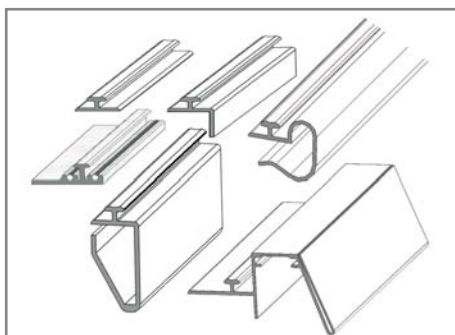
1 A divider for „square-edged“ products - without the need for rear fixation.



2 A divider - 120 mm height - with holes punched at the front to take a railing for tall or „soft“ products, merchandised in a portrait manner.



3 The lower fixing cams form a stable compartment when locking with the guide and stabilizer profile, specifically dividers (e.g. for round products on gravity shelves).



... for more success at the Point of Sale



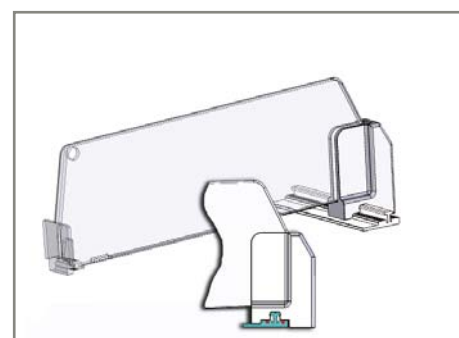
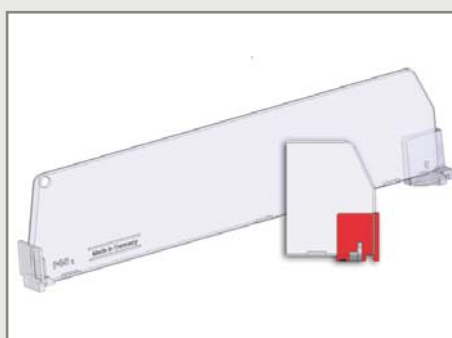
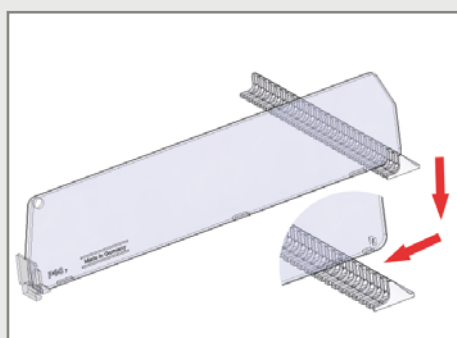
**4** The rear locks sit securely in the fixing ledge and make sure, that the installed compartment width remains permanent.



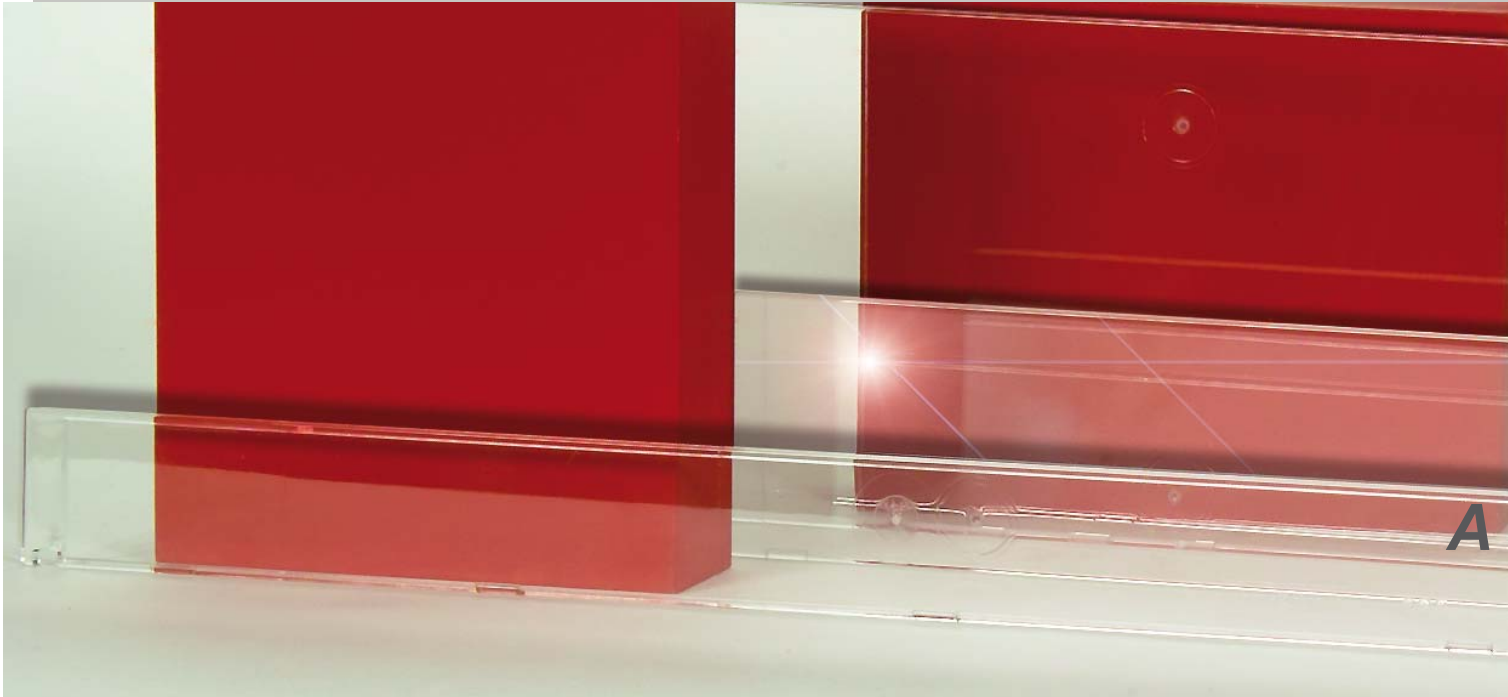
**5** An optional adapter clip can be fitted (before or after) on the adapter T-rail or placed on by an integrated magnet to provide more stability.



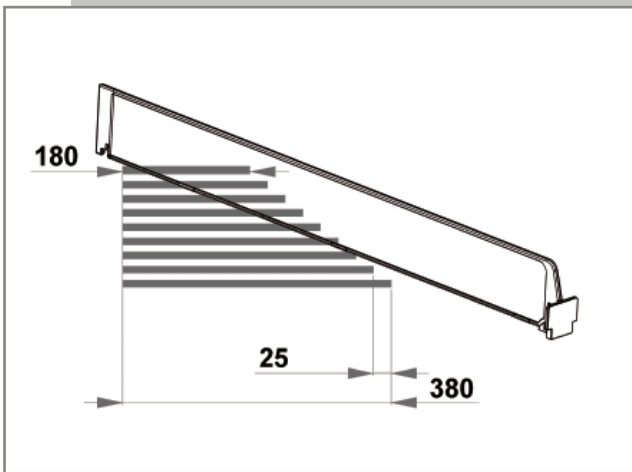
**6** The LED unit promotes the use of light ensuring a unique and unequivocal illuminated appearance through the divider. You can choose from several light colors.



## Dimensions and Variations



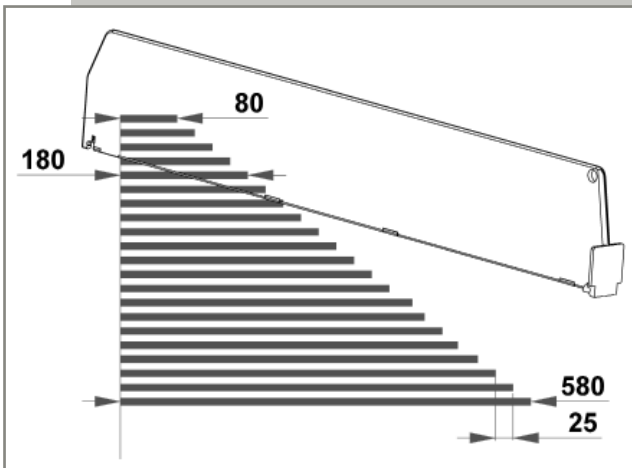
### A POS-T Divider height 35 mm System F (Front)



POS-T Divider height 35 mm  
Art.-No. d03fc...  
available in lengths from 180 to 380 mm  
(in steps of 25 mm)

POS-T Divider height 35 mm - **Vario**  
Art.-No. d03vc...  
available in lengths from 205 - 355 mm  
(with breakable sections every 25 mm)

### B POS-T Divider height 60 mm System F (Front)



POS-T Divider height 60 mm  
Art.-No. d06fc...  
available in lengths from 80 - 580 mm  
(in steps of 25 mm)

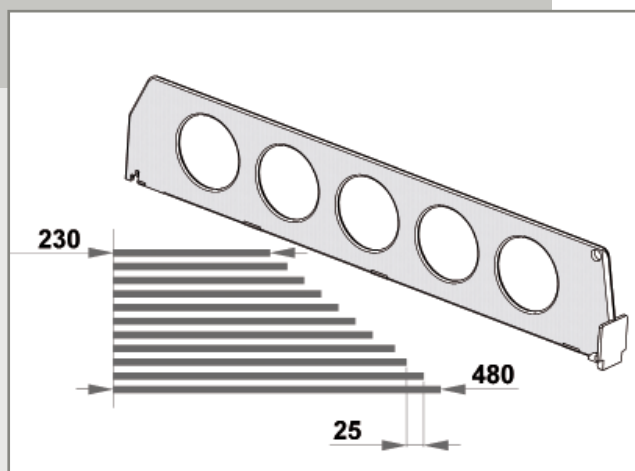
POS-T Divider height 60 mm - **Vario**  
Art.-No. d06vc...  
available in lengths from 255 - 355 mm,  
255 - 480 mm and 355 - 580 mm  
(with breakable sections every 25 mm)



**C** POS-T Divider height 60 mm  
System F (Front) - *Strapa*

POS-T Divider height 60 mm - *Strapa*  
(with frosted finish) Art.-No. d06ec...  
available in lengths from 230 to 480 mm  
(in steps of 25 mm)

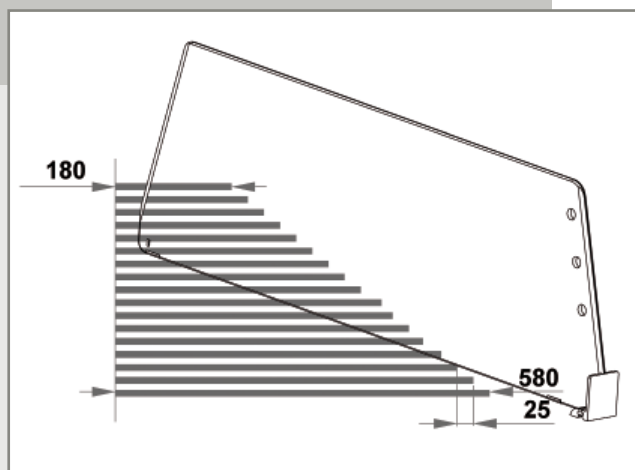
POS-T-Fachteiler Höhe 60 mm - *Strapa Vario*  
(with frosted finish) Art.-No. d06gc...  
available in lengths from 255 to 355 mm, 255 to  
480 mm and 355 - 580 mm  
(with breakable sections every 25 mm)



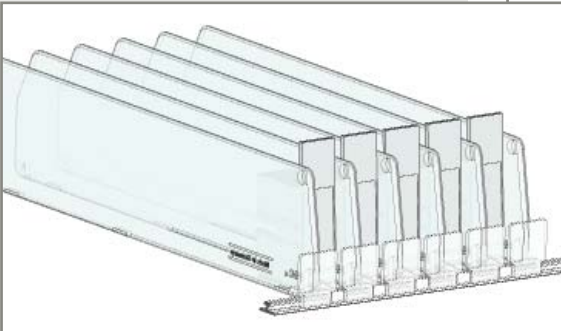
**D** POS-T Divider height 120 mm  
System F (Front)

POS-T-Divider height 120 mm  
Art.-No. d12fc...  
available in lengths from 180 to 580 mm  
(in steps of 25 mm)

POS-T Divider height 120 mm - Vario  
Art.-No. d12vc...  
available in lengths from 255 to 355 mm, 255 to  
480 mm and 355 to 580 mm  
(with breakable sections every 25 mm)



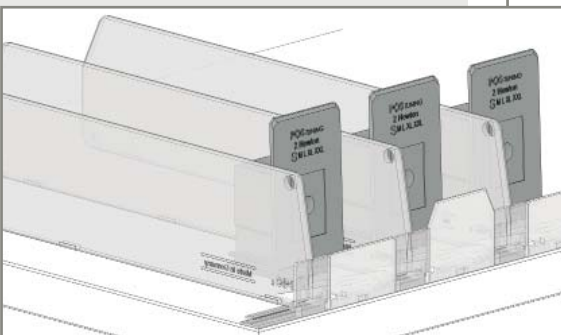
## All Purpose (Optional Solutions Available)



### Dividers in combination with POS-T Product Pusher Type “Mini W 19 mm”

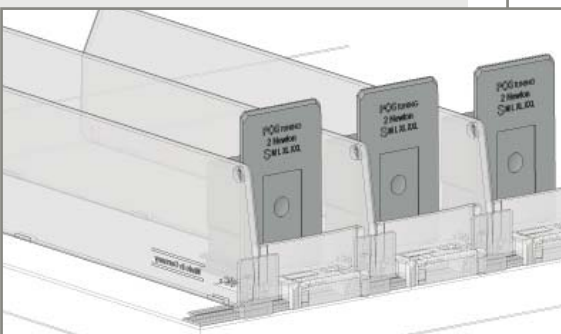
for minimum compartment widths of 17 mm i.e. cosmetic products.

All information concerning this product range is available in the parts list „Pusher System Mini“/„Vorschub System Mini“



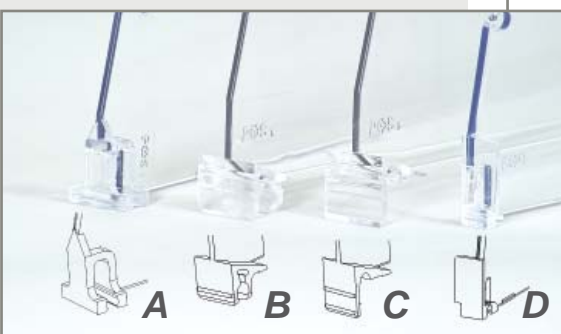
### Dividers in combination with POS-T Product Pusher “System F”

All information concerning this product range are available in the parts list „Pusher System F“



### Dividers in combination with POS-T Product Pusher “System T”

All information concerning this product range are available in the parts list „Pusher System T“



### Dividers with customized front clamps, according to customers specification

For example:

- A Typically „embracing“ T-clip for T-rails
- B Wire clip for connection with wire mesh shelves
- C For insertion in U-profiles on shelf fronts
- D All front fixations now available as a right/left hand version



### “Bespoke” dividers produced in individual colors‘

- in accordance to customer CI (Customer Identity)

## Design “Magic” - with LED-dividers

POS-T dividers with LED Lighting provide considerable visual impact to your range of products and promotions by illuminating the edges of the divider front profile.

No additional installation requirements - the power supply is provided by connecting a special divider clamp with the Adapter T-rail.



## The U-Channel Pusher

for an optimum presentation of round or unstable products, customized to the product size and shelf dimensions.



## The „Shelf Tray“ for entire product categories

tailored to size, according to product and shelf measurements



## The POS-T Roller Feed System

Use the POS-T Roller Feed to achieve an optimised presentation of your products at the front of shelf, promoting impulse purchases at the point of sale. The POS-T Roller Feed is perfect, not only for products in cartons, plastic cups, cans or bottles, but also for heavy (and/or) large products such as six-packs or beverage packs.

*For more information please refer to the brochure “POS-T-Roller Feed”*



## Consequent shelf organization

Sophisticated shelf trays for almost every product  
- Please refer to example -

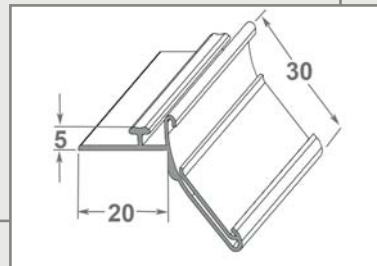


## Price Data Stripes for Shelf Management Systems

Following are some examples of our extrusion profiles, produced on state of the art machinery. By use of Tri-Extrusion Technology we are able to integrate three materials into one profile. We can therefore meet the highest standards in function, design and quality. Please find the standard profiles in our order list. Ask us for custom-made profiles.

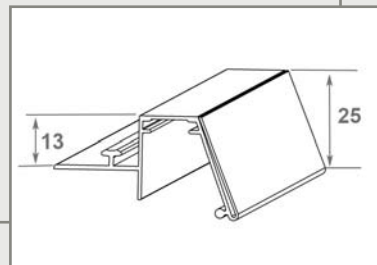
### Price Rail design type a12

For inserts up to 30 mm height, clear transparent front cover, self-adhesive, for installation on glass shelves or any other shelf with plain surface.



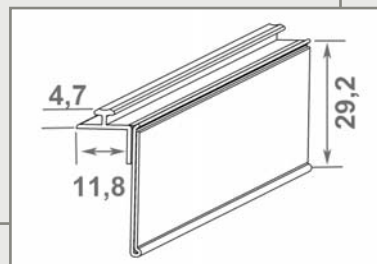
### Brandline Rail design e12

For inserts up to 20 mm height, clear transparent front cover, retainer for POS-7 LED Stripes, for installation on glass shelves or any other shelf with plain surface and 90 degree front edge.



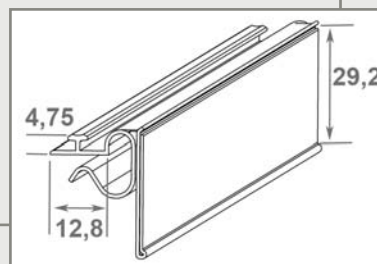
### Price Rail design a22

For inserts up to 30 mm height, clear transparent front cover, self-adhesive, for installation on glass shelves or any other shelf with plain surface, pivoting hinge with 29 mm high front.



### Price Rail design a32

For inserts up to 30 mm height, clear transparent front cover, self-adhesive, for installation on wire shelves e.g. for Wanzl "wire tech" system, pivoting hinge with 29 mm high front.



### Price Rail design a28

With clip function for wire shelving (i.e. in deep freezers) With integrated adapter for all Scanner rail systems „Tego-Metall“. In every height and color.

